

# PUFFERSPHEREXL

by pufferfish ltd



Fits Industry standard Barco 10k  
CLM R10 Projector

Lightweight Aluminium frame,  
available in black or custom

Pufferfish automated stealth  
inflation system: near-silent

Trademark Pufferfish flexibility;  
use floor-standing, wall-mounted  
horizontally or flown

Rapid set-up and strike:  
simple to use, solid, sturdy and safe

Single lens system:  
no time consuming edge-blending

Available with 1.6 – 2.5m diameter  
interchangeable inflatable projection spheres

Lovingly designed by Pufferfish for Coldplay's Viva la Vida World Tour

Pufferfish Ltd, 252 Causewayside, Edinburgh, EH9 1UU, UK  
Pufferfish and PufferSphere are registered Trade Marks of Pufferfish Ltd.  
Registration Nos. 2445143 and 2445137  
International (PCT) Patent Application No. PCT/GB2007/004564  
Copyright Pufferfish 2008. Design Rights Pufferfish 2008



[www.pufferfishdisplays.co.uk](http://www.pufferfishdisplays.co.uk)

puffer sphere

Designed for large scale installations, prestige events and stage tours.

**XL**

Suitable for permanent and temporary installations.

Xtra Large

Rig /Run straight from flight case: 30 minute set up.

Xtra Light

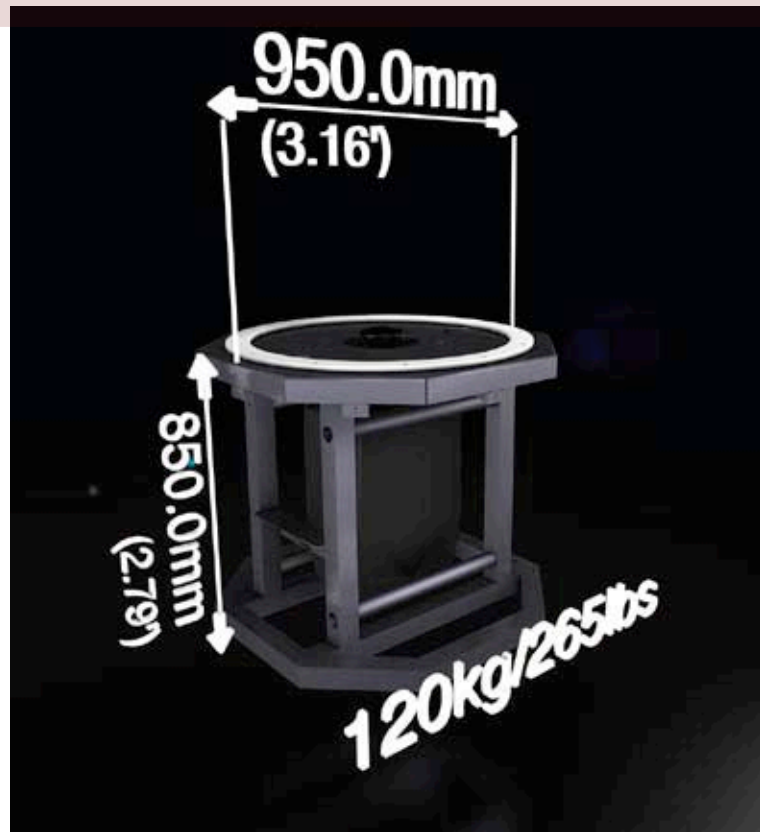
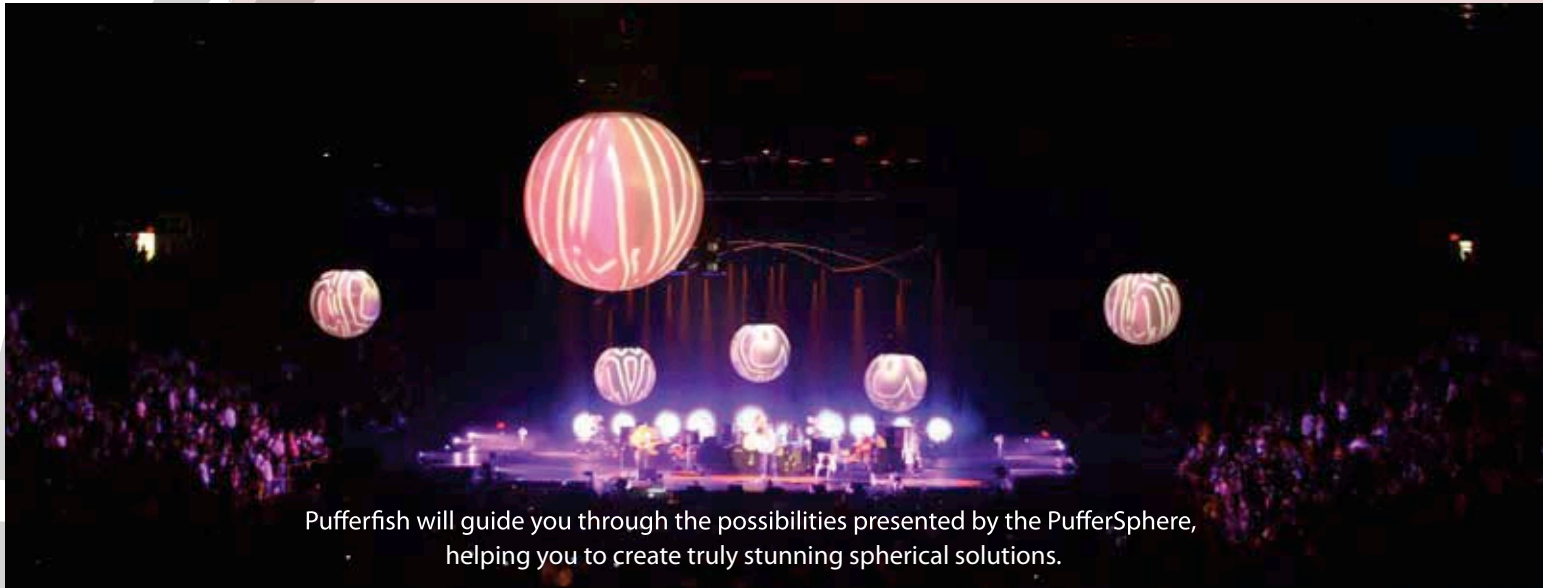
Projector can be integrated into the PufferSphere XL unit or used stand-alone with a standard throw lens.

Xtra Love

Integrate with a Green Hippo Hippotizer to spherize content in real-time and sync with other media.

Pufferfish don't just design and sell innovative hardware, we provide a comprehensive set of services and solutions tailored to ensure you get the very best from your PufferSphere.

From expert consultation and guidance regarding installation and usage to specialist in-house spherical content production.



Pufferfish Ltd, 252 Causewayside, Edinburgh, EH9 1UU, UK  
 Pufferfish and PufferSphere are registered Trade Marks of Pufferfish Ltd  
 Registration Nos. 2445143 and 2445137  
 International (PCT) Patent Application No. PCT/GB2007/004564  
 Copyright Pufferfish 2008. Design Rights Pufferfish 2008

**pufferfish™**  
[www.pufferfishdisplays.co.uk](http://www.pufferfishdisplays.co.uk)